

智能控制键盘说明书

Keyboard controller Operation Manual



Contents

I. Description of performance.....	2
1. brief introduction.....	2
2. technical data.....	2
II. Description of Main Functions.....	3
III. Installation and Connectio.....	4
IV. Description of Keyboard Panel.....	5
1. Front Panel.....	5
2. Back Panel Figure.....	6
V. LCD display and key mean.....	7、8
VI. Keyboard Set	9、10
VII. Keyboard Shortcuts SET UP.....	11

I. Description of performance

1. brief introduction

The keyboard controller can control high speed dome cameras, slow dome camera ,zoom camera , decoders, etc. The electric outlet between the controlling keyboard and the receiving terminal is EIA/RS – 485, which enables the keyboard to control as many as 128 dome cameras or other terminals within a maximal communication range of 1.5 Km.

2. technical data

1. Baud rate: 1200bps、 2400bps、 4800bps、 9600bps、 19200pbs、 38400pbs
2. Protocol: Pelco-D 、 Pelco-P 、 SAMSUNG、 AD、 PANASONIC
3. Communication: RS-485
4. Power input: DC 12V/500mA
5. Communication distance: max 1500m
6. Can control max 128 speed domes
7. Password setup function
8. Ambient Temperature: 0°C~60°C
9. Relative Humidity: 90%RH
10. Dimension: 205mm * 168mm * 48 mm

II. Description of Main Functions

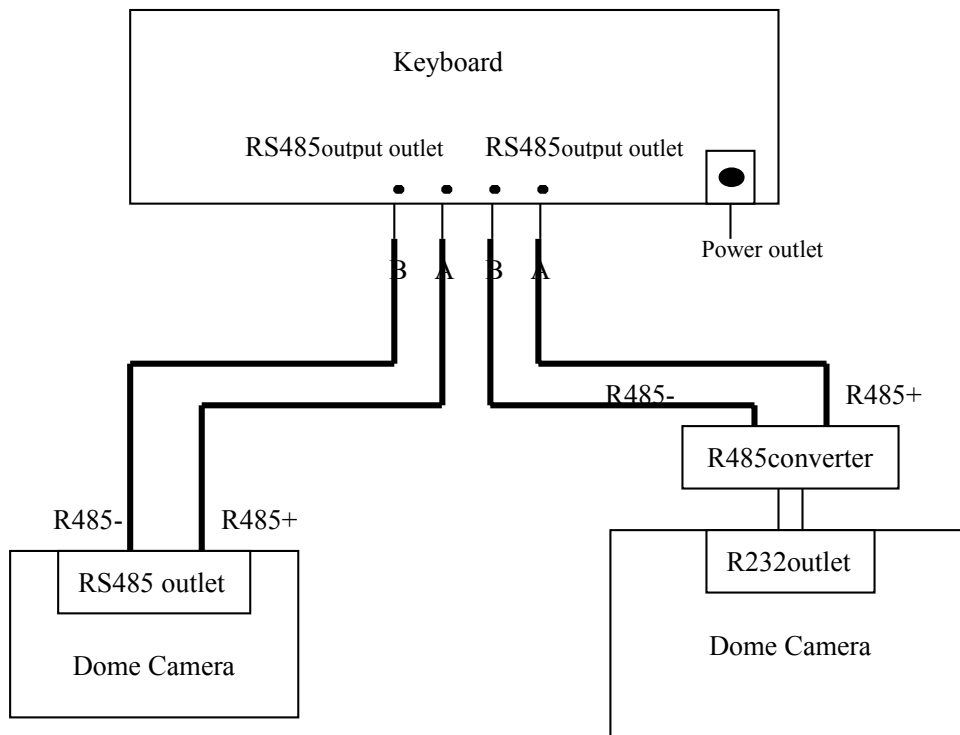
The main functions of the keyboard include:

1. The keyboard output adopts photoelectric insulated 485 control, which provides strong anti-jamming and long-range transmission.
2. The range for dome camera or decoder address setup: 1~255.
3. Variable-speed operation can be applied to the built-in dome of the high speed dome camera.
4. Pre-set positions can be setup and previewed in the high speed dome camera.
5. Up to four tour routes can be setup and previewed in the high speed dome camera, with each tour having a maximum of 16 pre-set positions, dwell time and speed for each pre-set positions programmable.
6. The high speed dome camera can be manually / automatically controlled.
7. Lens zoom ratio, focus and iris can be manually controlled.
8. More than one terminals, such as dome cameras and decoders, can be controlled.

III. Installation and Connection

Attention: Please read the Manual carefully before installation and connection, for any incorrect cable connection may cause permanent damages to the units. Make sure power is switched off before connection and all communication cables are screened twisted pair. All communication cables should avoid high-voltage cables or other jamming sources.

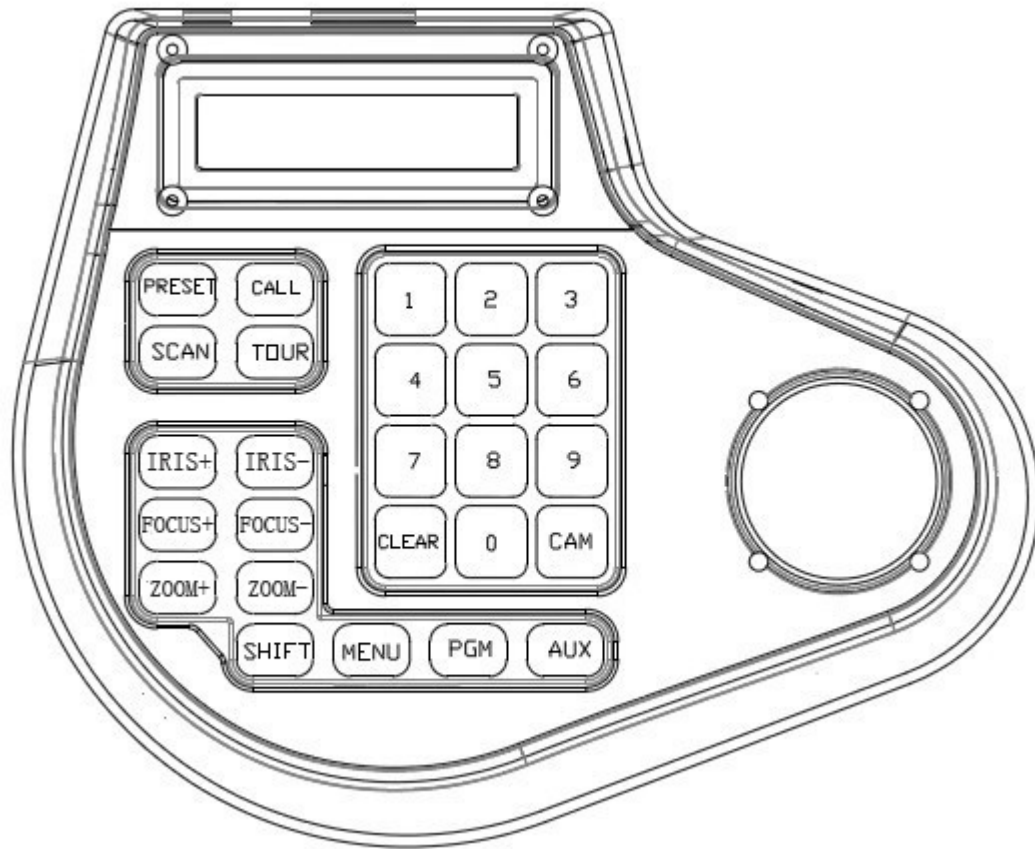
Figure for Keyboard Connection



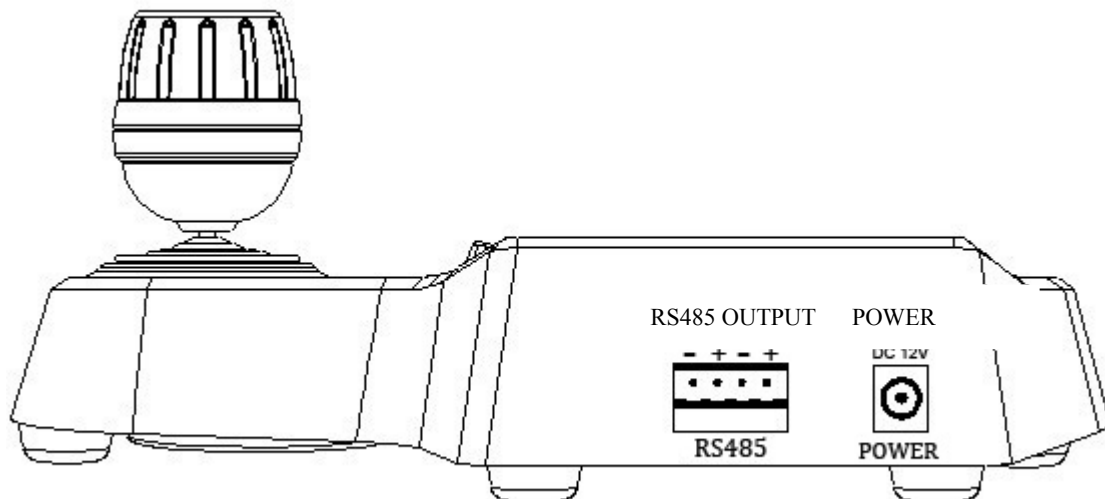
IV. Description of Keyboard Panel

1. Front Panel

On the front panel of the keyboard are variable-speed controlling joystick, keys and LED digital displayer. The LED digital displayer shows system and operation information. The controlling joystick controls the variable-velocity movement of the dome, and manually setup positions.



2. Back Panel Figure



Power supply outlet: connecting external DC12V power.
 Communication output: RS-485 output output connecting

V. LCD display and key mean

1.This display is the camera ID, Protocol ,Baud Rate status



- ① CAM=001 : camera address
- ② PROTOCOL:PELCO-D : protocol is pelco D
- ③ BAUD: 2400 : baud rate is 2400bps
- ④ INPUTS: 000 : input number

2. 0~9 Number

Used for setting the camera ID, Preset No. and modify the keyboard parameters. When SHIFT button is in effect, it will be light. 2,4,6,8 can also be used to move the PT unit UP (2), DOWN(8), LEFT(4) and RIGHT(6).

3.CAM

Enter the ID (0-255) by the number key then press CAM key : + , The number will be displayed after item CAM on the LCD. change DVR number when control DVR state .

4. CLEAR

Press key CLEAR, the Number input area will reset.

5.IRIS+/IRIS-

Under Manual mode, pressing key IRIS+ and IRIS- can control the IRIS.

6. FOCUS+/FOCUS-

Under Manual mode, pressing key FOCUS+ and FOCUS- can control the Focus.

7.ZOOM+/ZOOM-

Lens zoom for close-up image or lens zoom for panoramic image.

8. JOYSTICK

It is 2D used to move the speed dome or PTZ unit on pan or tilt direction. The moving speed increases as the offset.

9. MENU

Press key MENU will open speed dome camera mean., same Press + . Press MENU, the LED will be light and into my factory speed dome menu .

10.TOUR

Press key TOUR mean is Press key + , Press key Tour, the LED will be light and star to tour the multi preset position
This press is EDIT function when control DVR state.

11.SCAN (360°pan auto scan)

Press key TOUR mean is Press key + , Press key SCAN. The LED gets turned on, and auto scan begins.
Press key SCAN again. The LED gets turned off, and auto scan stop. Move the Joystick to stop Auto Scan function.
This press is **FAN** auto scan function when control DVR state.

12.PRESET

Set up the Presets: Move the joystick, and adjust the Lens to select the surveillance position you need. Input No. and then press [PRESET] key. i.e. +
Call the presets: Input the preset number, and press [CALL] key. i.e. +
Clear the presets: Input the preset number, and press [PRESET] key over 2 seconds. i.e. + keep to push over 2 seconds.
This press is **power** function when control DVR state.

13.CALL

This is function for search the preset position of the speed dome or receiver. Entry the Preset No. in the Number area, and press key CALL to call it. i.e. +
If succeed, the number input area will reset automatically.

14. SHIFT

Press key SHIFT, it gets turned on, and SHIFT is in effect.
Press key SHIFT again, it gets turned off, and SHIFT is off no effect.

15.PGM

If the above action can succeed, the number input area will reset automatically.

16.SHIFT+MENU

into keyboard menu set up.

17.AUX

AUX function 1. DVR play or PAN scan when control DVR state .

18.Clear PRESET:

SHIFT + **CLEAR** + **Number**

VI. Keyboard Setting

1.The keyboard can setup different Baud rates and protocols for every camera. When the keyboard switch dome camera/decoder addresses, it will output corresponding controlling instructions based on the setup protocols and Baud rates.

Shift + Menu: into keyboard setting menu



PELCO D CAM=001
BR: 2400 000

- ① CAM=001 : camera address
- ② PELCO-D : protocol is pelco D
- ③ 2400 : baud rate is 2400bps
- ④ 000 : input number

PROTOCOL: PELCO-D、 PELCO-P、 SAMSUNG、 AD、 PANASONIC
can change.

BAUD RATE: 1200、 2400、 4800、 9600、 19200、 38400 can change.

2. Password set



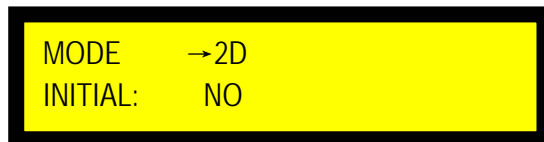
PASSWORD ENABLE
NO

PASSWORD ENABLE: NO : password have not used.

PASSWORD ENABLE: YES : display“OK”password have used.

PASSWORD: **** : First password is 0000, user can set new password ,password is 4 number . setting later press [PGM] is save and exit .

3. Keyboard Control mode

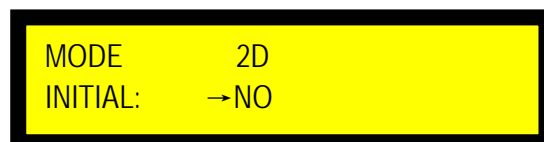


```
MODE    →2D
INITIAL:  NO
```

MODE 2D: only keyboard control dome .

MODE 2D-M: keyboard and DVR parallel connection control dome .

4. keyboard initial



```
MODE    2D
INITIAL: →NO
```

INITIAL : NO: the keyboard initial is close.

INITIAL: YES→OK: the keyboard initial is open .initial later the keyboard setting is address 1 , baud rate 2400bps ;, protocol pelco D .

VII. Keyboard hotkey set up

- Input 12, and then press key **PGM** to select Baud Rate to **1200**bps.
- Input 24, and then press key **PGM** to select Baud Rate to **2400**bps.
- Input 48, and then press key **PGM** to select Baud Rate to **4800**bps.
- Input 96, and then press key **PGM** to select Baud Rate to **9600**bps.
- Input 192, and then press key **PGM** to select Baud Rate to **19200**bps.
- Input 384, and then press key **PGM** to select Baud Rate to **38400**bps.
- Input 44, and then press key **PGM** to select **Pelco –D** protocol.
- Input 50, and then press key **PGM** to select **Pelco –P** protocol.